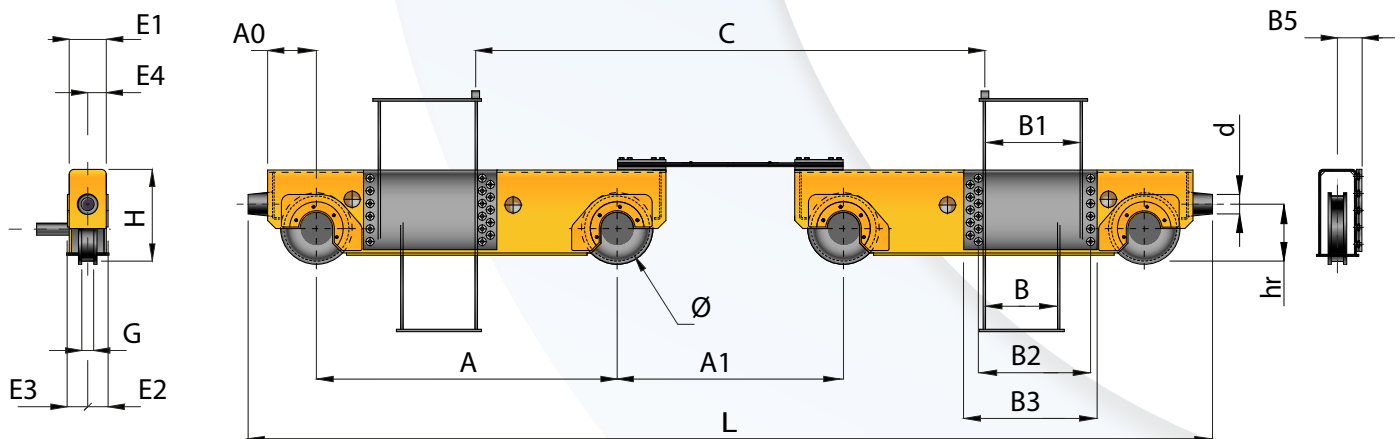


# PRIEČNIKY TYP BOGIE PRE ŽERIAVY



CODE	DUTY GROUP			FEATURES				WEIGHT
	M4	M5	M6	Ø	G	A	C min	kg / set
	1am	2m	3m	mm	mm	mm	mm	
T 11993	159	159	106	315	80	1600	2000	1700
T 11994	220	220	200	400	90	1850	2500	2700
T 11995	300	275	240	500		2300	3000	3500

STANDARD GEARMOTORS	
FOR INVERTER	FOR DUAL SPEED
SFR25090055	SOSTD112850
SOSTD100050	SOSTD112900
SOSTD112060	—

- ▶ The max. wheel load is calculated based on an LT speed of 40 m/min and on a rail width of 60 mm for wheels of 315 mm and a rail width of 70 mm for wheels of 400 mm and 500 mm. For narrower rails and/or higher speeds the max. wheel load will be lower and must be calculated case by case
- ▶ weight is referred to four bogies without gearmotors
- ▶ C min is the minimum trolley gauge

CODE	A0	A1 min	L min	H	E1	E2	E3	E4	B	B1	B2	B3	B5	d	hr
T 11993	240	560	4460	615	230	130	180	90	420	505	590	720	181	150	310
T 11994	300	760	5300	700	220	165	165	112	530	610	690	820	150	150	350
T 11995	325	750	6650	850	225	165	165	112	580	660	740	880	165	200	420

- ▶ B and B1 are the minimum and maximum allowed girder widths
- ▶ B5 includes the counter-flanges (welded on the girder)